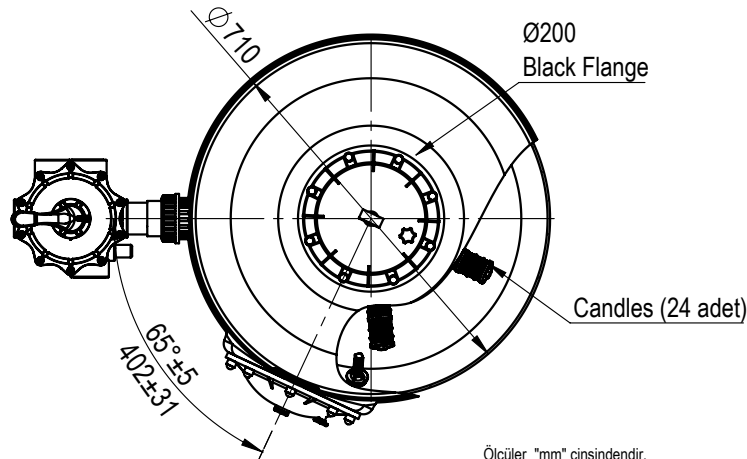
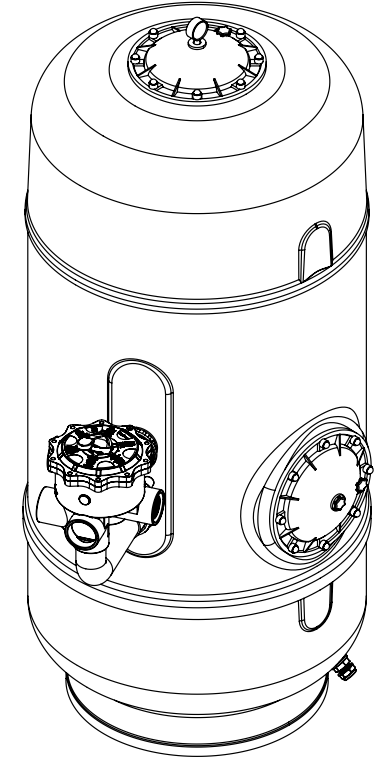


MODEL : FILTRES HB 710	PRODUCT CODE : 021313HB
FILTRATION AREA : 0,40 m <sup>2</sup>	FILTER DIAMETER : 710 mm
VOLUME: 544 L	FILTRATION MEDIA : 0,4 - 0,8 mm
OPERATION PRESSURE : 2,5 kg/cm <sup>2</sup>	TEST PRESSURE : 3,5 kg/cm <sup>2</sup>
FLOW RATE: 20 m <sup>3</sup> /h	FILTRATION RATE : 50 m <sup>3</sup> /h/m <sup>2</sup>
PRODUCT YEAR :	CUSTOMER NAME :
COLOR CODE:	
SİPARİŞ NUMARASI:	



Ölçüler "mm" cinsindedir.  
RESİM ÜZERİNDEN ÖLÇÜ ALINMAZ.  
DO NOT TAKE THE MEASUREMENT ON THE DRAWING

Rev. No / Rev. No	Rev. Tarihi / Rev. Date	Revizyon Notu / Revision Note	Rev.Ad-Soyad / Rev.Name-Surname	İmza / Signature
Revizyon / Revision	Tarihi / Date	Ad-Soyad / Name-Surname	İmza / Signature	Ağırlık (gr) / Weight (gr)
Çizen / Designed By	02.08.2023	MELTEM KILIÇ		Stok Kodu / Stock.No
Kontrol / Checked By		İBRAHİM KAYA		
Onay / Aproved By		İBRAHİM KAYA		
Ölçek / Scale	Parça Adı / Part Name		Form / Form	Malzeme / Metarial
	D.710 Derin Yataklı Havuz Kum Filtre		A4	

